



## ZVC400 Zoom Rooms System

Yealink ZVC400 Zoom Rooms system is a video solution designed for immersive (intelligent) Zoom meetings in small meeting room. ZVC400 includes everything you need to seamlessly and smartly meet, connect and collaborate with internal and external users. Together with 8 MEMS microphone arrays and 133 ° field of view, its AI technologies, including face detection, sound localization, and speaker tracking and so on, provide users with high-quality call experience in full-duplex mode. Only including a high-performance MCore, a touch panel MTouch II, and a USB video bar UVC40, ZVC400 is the optimum choice for all meeting rooms with easy deployment.



Easy  
Deployment



20 MP  
Camera



Auto  
Framing



Speaker  
Tracking



Electric  
Lens Cap



8x e-PTZ  
Camera



Direct Sharing



Device  
Management



## Key Features

### Smart Video Conferencing with AI Technology

Featuring AI technology, including Auto Framing and Speaker Tracking, UVC40 not only supports framing the groups automatically according to the number and the position of the participants, but also automatically zoom in the speaker without adjusting the camera, making the participants more focus on the conference.

### Precise Sound Localization, Full-Duplex Experience

8 MEMS microphone arrays make UVC40 have stronger ability of noise proof and dereverberation. The new upgraded beamforming algorithm, together with technology of processing on acoustic echo cancellation and the dereverberation, brings high quality full-duplex call and realizes more precise voice pickup.

### Secure Conference with Electric Lens Cap

The camera electric lens cap automatically opens when the video conference starts and remains closed when not having video conferences, securing your conference privacy.

### Content Sharing in Real Time

ZVC400 allows participant to quickly start content sharing with multiple presenting options, including direct sharing, wired presentation, and WPP20 wireless presentation. The wired content sharing is also available by connecting to the USB-C port or HDMI port.

### Simple to Deploy, Easy to Use

With the VCH port, MCore is specially designed for the video meeting rooms that the deployment can be easily extended. At the same time, its all-in-one design with the feature of cable management ensure the stability of the wire connection, and the most appropriate deployment can be achieved according to the layout of the meeting room. One CAT5e is totally enough to connect the TV area and the conference table area and to complete the data transmission and power supply, no additional power supply or extension cable is needed, which not only simplifying the deployment but also effectively reducing deployment costs.

### Remote Device Management

This solution supports Yealink Device Management Platform/Cloud Service, you can flawlessly manage, monitor, configure, update and diagnose all Yealink audio and video devices peripherals on this platform remotely.



**Package Content**

- MCore Mini-PC
- MTouch II touch panel
- UVC40 USB video bar

**Preload**

- Windows 10 IoT Enterprise X64
- Windows 10 IoT Enterprise License
- Zoom Room & Zoom Room Controller apps
- Yealink RoomConnect

**MCore Mini-PC**

- 8<sup>th</sup>-gen Intel® QUAD-CORE i5
- Memory: 8GB (2 x 4GB)
- Storage 128GB SSD
- 2 x HDMI video output with CEC supported
- Bluetooth and Wi-Fi
- 1x Yealink VCH port (RJ45), connect to MTouch II
- 4 x USB3.0 Type-A
- 1 x 10/100/1000M Ethernet port
- 1 x Power port
- 1 x Security lock slot
- Integrated cable management

**MTouch II touch panel**

- 8-inch IPS screen

- 1280 x 800 resolution
- 10-point capacitive touch screen
- 3.5mm headset jack
- Human Motion Sensor
- Angle adjustable bracket (28° ~ 50°)
- 1080P/30FPS FHD for sharing
- Support wired and wireless content sharing
- Built-in Wi-Fi AP for Yealink wireless presentation device
- HDMI/USB-C video input

**UVC40 USB video bar**

- 20 MP camera
- 8x e-PTZ camera
- Field of view (diagonal): 133°
- Auto Framing
- Speaker Tracking
- AI Face Enhancement
- Camera presets
- Direct sharing via ultrasonic
- Built-in 8 MEMS microphone array
- Yealink Noise Proof Technology
- Beamforming directed voice pickup technology

- Full-duplex technology
- Echo cancellation technology
- 1x USB3.0 Type-B
- 1x USB2.0 Type-A
- 1 x Yealink Microphone port (RJ-45)
- 1 x Line-in (3.5mm)
- 1 x Power port
- 1 x Security lock slot
- 1 x Reset slot
- 1 x 2.5m USB 2.0 cable

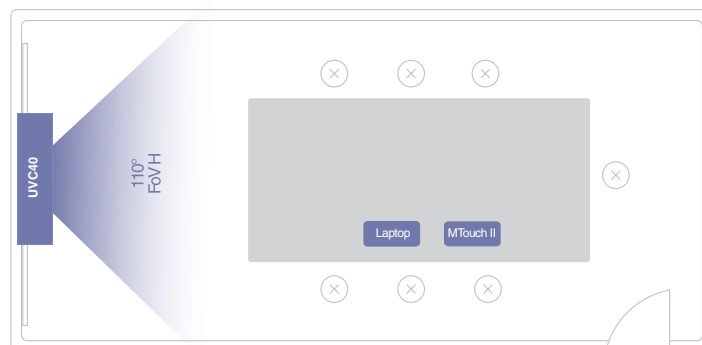
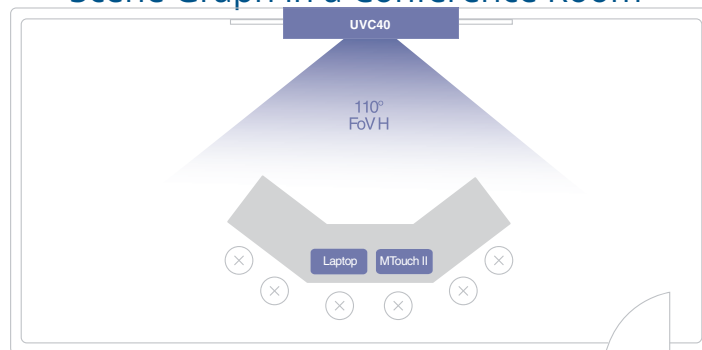
**Package Features**

- N.W/CTN 6.4Kg
- G.W/CTN: 7.6kg
- Carton Meas: 685mm x 356mm x 285mm

**Product Dimension (W.D.H)**

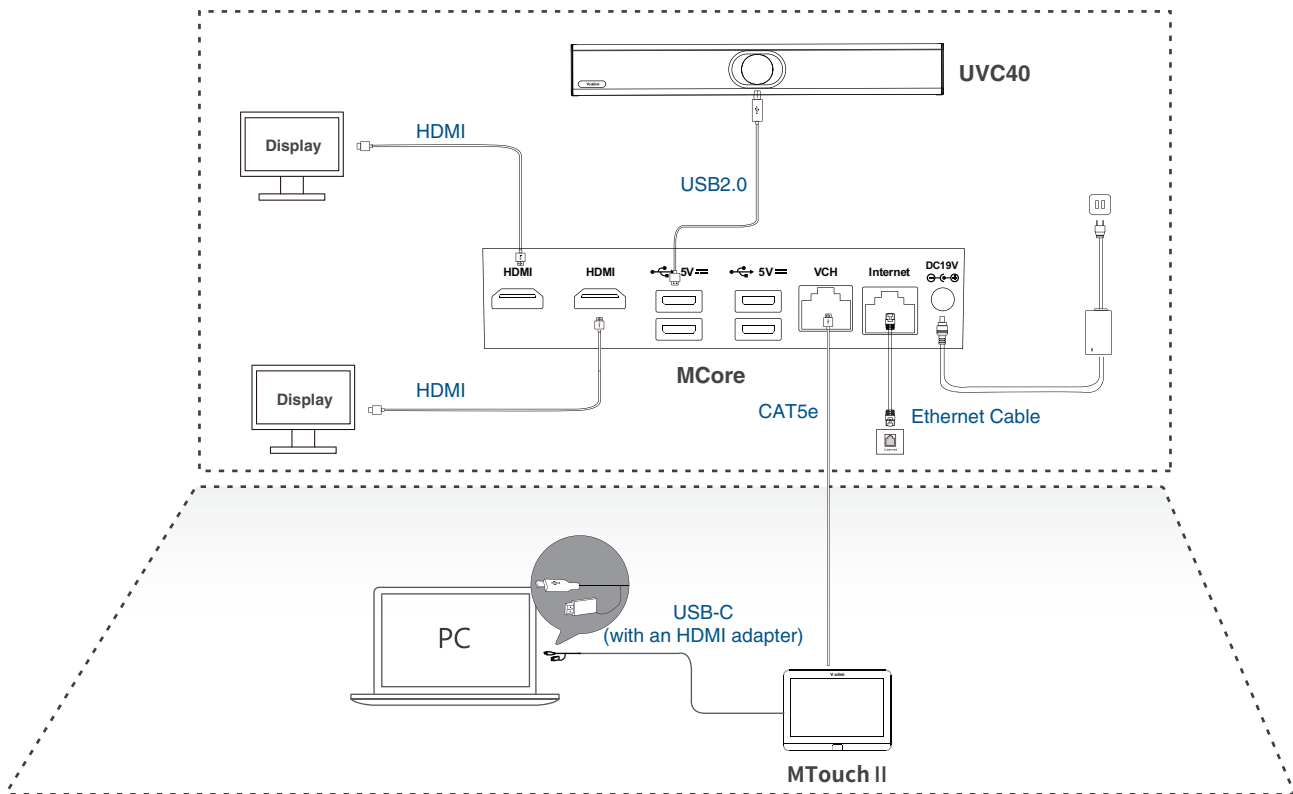
- MTouch II: 202mm x 151mm x 100mm
- N.W/CTN: 1kg
- MCore: 168mm x 197mm x 39mm
- N.W/CTN: 1.35kg
- UVC40: 600mm x 68mm x 82mm
- N.W/CTN: 2.56kg

**Scene Graph in a Conference Room**





## Connection



- 💡 When starting up the system for the first time, you need to connect a mouse to complete the initial configuration. We recommend using the wireless mouse and keyboard kit.
- 💡 For more information about the installation and deployment of accessories (for example, the installation of the MCore package or the UVC40 camera), refer to the Quick Start Guide of corresponding accessory.