



Yealink HD Touch-Sensitive Wireless Phone System

W70B:

- Up to 20 simultaneous calls
- Up to 10 DECT cordless handsets
- Up to 10 SIP accounts
- Support Opus audio codec
- Noise Reduction System
- TLS and SRTP security encryption
- No Perception Upgrade

CP935W:

- 4-inch multi-touch screen with 480x800 resolution
- Optima HD voice, full duplex technology
- Yealink Noise Proof Technology
- Built-in Bluetooth 4.2
- Built-in Wi-Fi (2.4GHz/5GHz, 802.11 a/b/g/n)
- Wi-Fi and DECT mode switchable (Switch via one-touch)
- Built-in battery
- Up to 20-hour talk time (in ideal conditions)
- Up to 167-hour standby time in DECT mode (in ideal conditions)
- 4 hours charging time
- 20-foot (6-meter) and 360-degree microphone pickup range
- Built-in 6-microphone array for voice pickup
- 5-way conference call
- Support to connect with a Bluetooth expansion microphone
- Hybrid UC meeting



4" Multi-Touch Screen



Bluetooth Wireless Microphone (Optional)*



Yealink Pentagon Meeting Room



Built-in Battery



Hybrid UC Meeting



Pairing via Bluetooth



Switching DECT/WIFI

Base	Compatibility
W70B	Totally compatible
W80MC	Compatible as CP930W
W90MC	Totally compatible
VIM	Totally compatible

* Bluetooth Wireless Microphone coming soon

Yealink CP935W-Base is a HD touch-sensitive cordless phone system designed for small to medium conference room. Working with Yealink W70B base station, which owns the DECT radio coverage up to 50m indoors, CP935W can be provided with good and stable signal.

Yealink CP935W is a hermit in the conference room. Its black acoustics fabric can realize crystal-clear audio and is resistant to water, oil, and stain. Its ultra-thin body, appropriate desktop fit, and ingenious hidden wiring slot, perfectly fit for the simple business style in the conference rooms. Additionally, its built-in Linux system and easy-to-use UI interface, allow users to launch a meeting with one button and increase user adoption.

Yealink CP935W adopts Y-shaped design and has 6 built-in microphones for sound pickup. Its 20-foot and 360° omni-direction sound pickup provide users with clear and natural voice conference experience.

Thanks to its built-in battery and the DECT technology, CP935W-Base entirely frees you from the network and power outlets troubles, giving you a tidy conference table with only one elegant CP935W. Also, its built-in rechargeable battery ensures up to 20 hours of call time and 167 hours of standby time, guaranteeing a long working time without recharging and making CP935W totally wireless in DECT environment.

Yealink CP935W supports 5-way conference call, enabling participants from different locations to communicate smoothly, reducing costs for your company. You can also connect CP935W to your mobile devices (such as smart phone, PC etc.) through Bluetooth or USB port to realize Hybrid UC meeting (including SIP, mobile phone, PC). Moreover, the Bluetooth wireless expansion microphone CPW25 provides 3-meter sound pickup range, which expands the CP935W sound pickup range while still keeping the conference room table clean.



Audio Features

- Optimal HD audio
- Yealink Noise Proof Technology
- Smart Noise Filtering
- 20-foot (6-meter) microphone pickup range
- Apply to small to medium conference room
- Built-in 6-microphone array, 360-degree voice pickup
- Loudspeaker:
 - Frequency: 100-20,000 Hz
 - Volume: 96 dB at 0.5-m peak volume
- 56mm diameter and 5w speaker
- Full-duplex speakerphone with AEC
- Echo cancellation tail length is up to 320ms
- Background noise suppression
- Codecs: G722, G722.1C, G726, G.729, G.729A,G723, iLBC, Opus, PCMU(G.711A) , PCMA(G.711μ),AMR
- DTMF: In-band, Out-of-band (RFC 2833) and SIP INFO
- VAD, CNG, PLC, AJB, AGC

Phone Features

- Up to 10 handset (CP935W works as a handset)
- Up to 10 SIP accounts (only one SIP account on CP935W)
- Paging, intercom, dial plan
- Call hold, mute, DND, call recording, hotline
- 5-way conference call
- Switching between calls
- Caller ID with name and number
- Anonymous call, Anonymous call rejection
- Redial, call waiting, emergency call, voice-mail,Keypad lock
- Call forward, call transfer, call return
- Ring tone selection/import/delete
- Set date time manually or automatically
- Volume adjustment
- Pairing via Bluetooth
- Join meeting seamlessly
- Active Speaker

- Direct IP call without SIP proxy
- Reset to factory, reboot

Directory

- Local phonebook up to 1000 entries
- XML/LDAP remote phonebook
- Intelligent search method
- Phonebook search/import/export
- Call history: all/missed/placed/received/forwarded
- Blocklist

IP-PBX features

- Busy Lamp Field (BLF)
- Multicast paging
- Intercom
- Anonymous call
- Anonymous call rejection
- Voice mail
- Distinctive ringtone
- Call pickup

Display

- 4" 480x800 capacitive touch screen
- Volume key
- Home button

Interface

- Built-in Wi-Fi
- Built-in Bluetooth 4.2
- 1 x USB 2.0 Type-C device port
- 1 x Security slot

Network and security

- SIP v1 (RFC2543), v2 (RFC3261)
- SNTP/NTP
- VLAN (802.1Q and 802.1P)
- 802.1x, LLDP
- STUN Client (NAT Traversal)
- UDP/TCP/TLS
- IP assignment: Static/DHCP
- Support outbound proxy server backup

Management

- Configuration: browser/phone/auto-provision
- Auto provision via FTP/TFTP/HTTP/HTTPS for mass deploy
- Auto-provision with PnP
- Zero-sp-touch, TR-069
- Reset to factory, reboot
- Package tracing export, system log

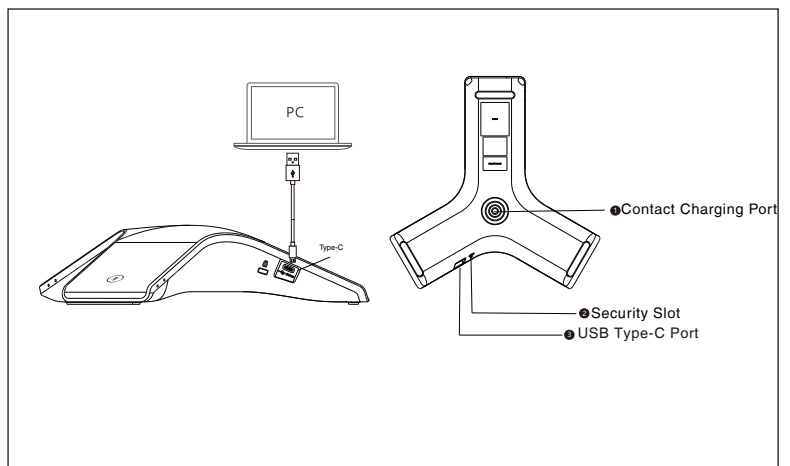
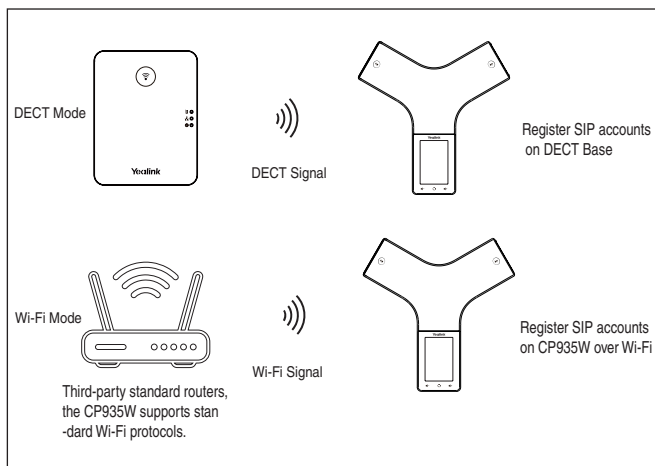
Other physical features

- Color: Black
- PSU: 2.2~6W
- Battery capacity: 7800mAh
- Charging time: 4 hours
- Up to 167 hours standby time in DECT mode (in ideal conditions)
- Up to 20 hours talk time (in ideal conditions)
- Dimension (W*D*H): 288.6mm*285.2mm*63.9mm
- Operating humidity: 10~90%
- Storage temperature: -10~40°C (+14~104°F)

Package Features

- Package content:
 - Yealink CP935W IP conference phone
 - Charger cradle
 - W70B Base Station
 - Base Stand
 - Two Yealink Power Adapters
 - Ethernet Cable
 - Wireless Microphone CPW25 (Optional)
 - Quick Start Guide
- Qty/CTN: 5 PCS
- N.W/CTN: 7.416 kg
- G.W/CTN: 8.420kg
- Giftbox size: 355mm*349mm*108mm
- Carton Meas: 567mm*357mm*365mm

Compliance



The datasheet focuses on DECT mode, please refer to CP935W if you want to learn more about Wi-Fi mode.